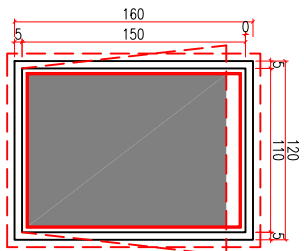


O.K.B: 120 cm

AL.W-01

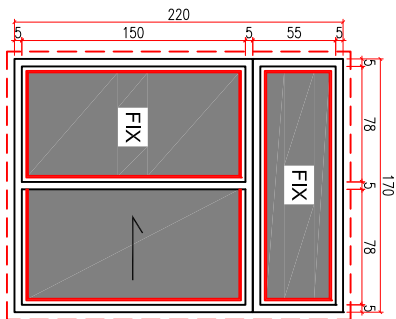
N=2



O.K.B: 100 cm

AL.W-02

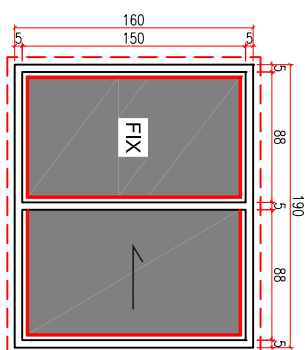
N=2



O.K.B: 100 cm

AL.W-03

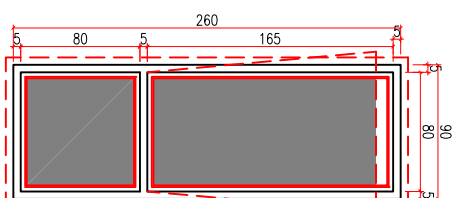
N=10



O.K.B: 100 cm

AL.W-04

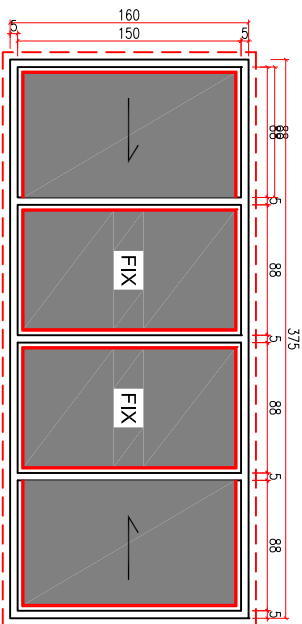
N=50



O.K.B: 20 cm

AL.W-06

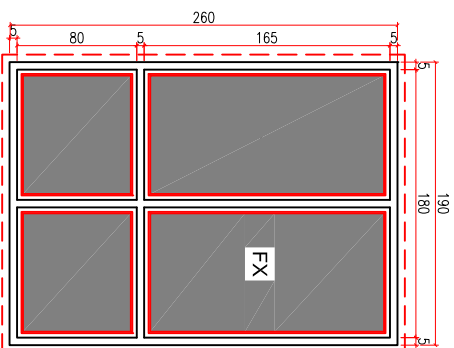
N=2



O.K.B: 100 cm

AL.W-05

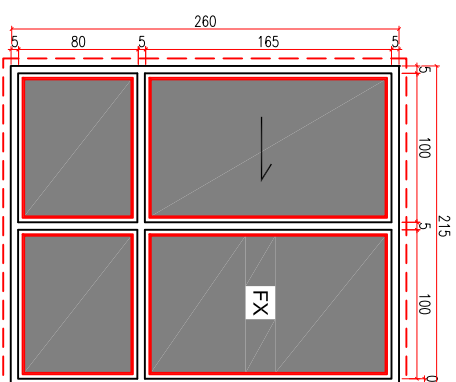
N=6



O.K.B: 20 cm

AL.W-07

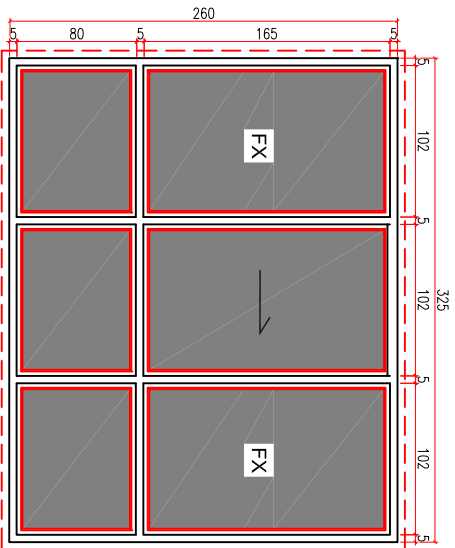
N=8



O.K.B: 20 cm

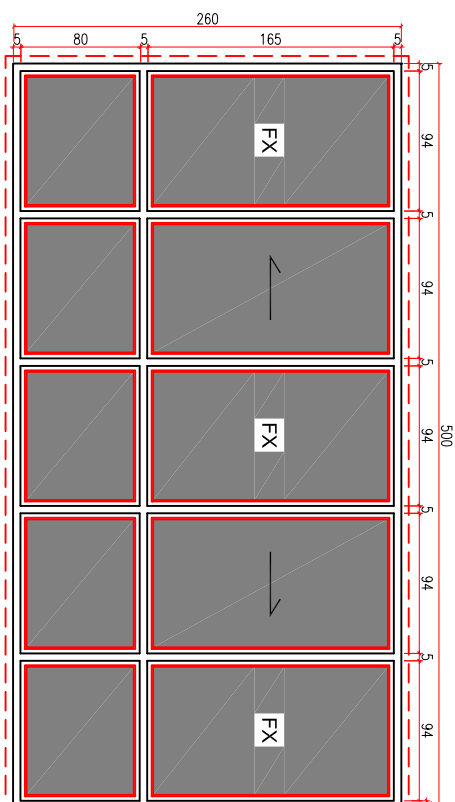
AL.W-08

N=1



O.K.B: 20 cm

AL.W-09



O.K.B: 20 cm

AL.W-10

N=1

REFERENCE DOCUMENTS

DOC. NO.

NOTES

LEGENDS

REV.	DATE	99.09.24	
DRAWN	P.TAGHWI		
CHECK	R.GHOLAMI		
APP.	M.TARKESH		
CLIENT CHK	X.X		
CLIENT APP.			
ISSUED FOR		FOR APPROVAL	

CONTRACTOR: SKAM CO. CLIENT:



DOCUMENT TITLE: ARCHITECTURAL DOCUMENT

PROJECT NAME: SUBPROJECT NAME: SHEET SCALE UNIT

CLIENT DOCUMENT CODE: 104 1:25 CM

CONTRACTOR DOCUMENT CODE:

DOC. TYPE/SIZE PRODUCT SUBPRD PPR./NSC SERIAL NO. REV. DWG 2 D00DIAR001011